



### ANSI B18.5.2.2M Round Bolt

Leader-Fastener is a manufacturer and distributor of **ANSI B18.5.2.2M Round Bolt**. We have a complete line of service from having invested in production plants, export department and to having a quality control team and center to meet your requirements. We regard quality as the life of the company. We persist in good quality as the first policy and have established a set of quality control and inspection system according to the international standard. We have carried out ISO9001 Quality Guarantee System in every course of production, transportation and selling. We do hope we could be your partner in business by

topping quality, knight service and competitive price in the near future and be your friends as well.

This Standard covers the complete general and dimensional data for the various types of inch series bolts generally classified as round head bolts and recognized as an American National Standard.

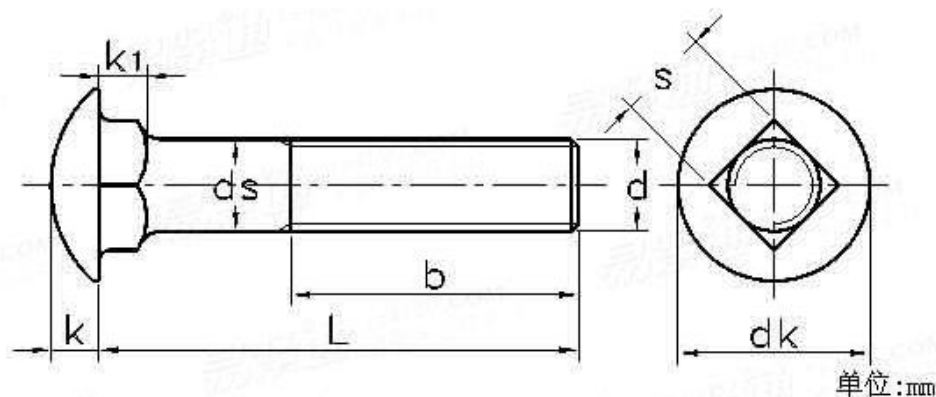
#### The key types of bolts covered include:

Round head bolts are frequently used in rail, heavy equipment, and agricultural applications. The bolts have a low profile head that does not interfere with many applications where a dramatic protrusion from a hex head or other style would. There are a variety of styles that include underhead features to hold the bolt in place while a nut is being tightened.

Step bolts are of similar design to a round head, square-necked bolt but with a much larger head size.

Elevator bolts are of similar design to the round head bolts but with a comparatively flat head frequently used in agricultural applications such as grain and other such elevators

### ANSI/ASME B 18.5.2.2M - 2005 Metric round head square neck bolts



Thread Size d	Pitch	d <sub>s</sub>		d <sub>k</sub> max	k		s		k <sub>1</sub>	
		max	min		max	min	max	min	max	min
M5	0.8	5.48	4.52	11.8	3.1	2.5	5.48	4.88	3.1	2.5
M6	1	6.48	5.52	14.2	3.6	3	6.48	5.88	3.6	3
M8	1.25	8.58	7.42	18	4.8	4	8.58	7.85	4.8	4
M10	1.5	10.58	9.42	22.3	5.8	5	10.58	9.85	5.8	5
M12	1.75	12.7	11.3	26.6	6.8	6	12.7	11.82	6.8	6
M14	2	14.7	13.3	30.5	7.9	7	14.7	13.82	7.9	7
M16	2	16.7	15.3	35	8.9	8	16.7	15.82	8.9	8
M20	2.5	20.84	19.16	43	10.9	10	20.84	19.79	10.9	10
M24	3	24.84	23.16	51	13.1	12	24.84	23.79	13.1	12